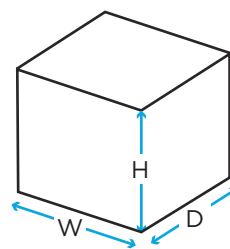


Storage Boxes

Technical Data

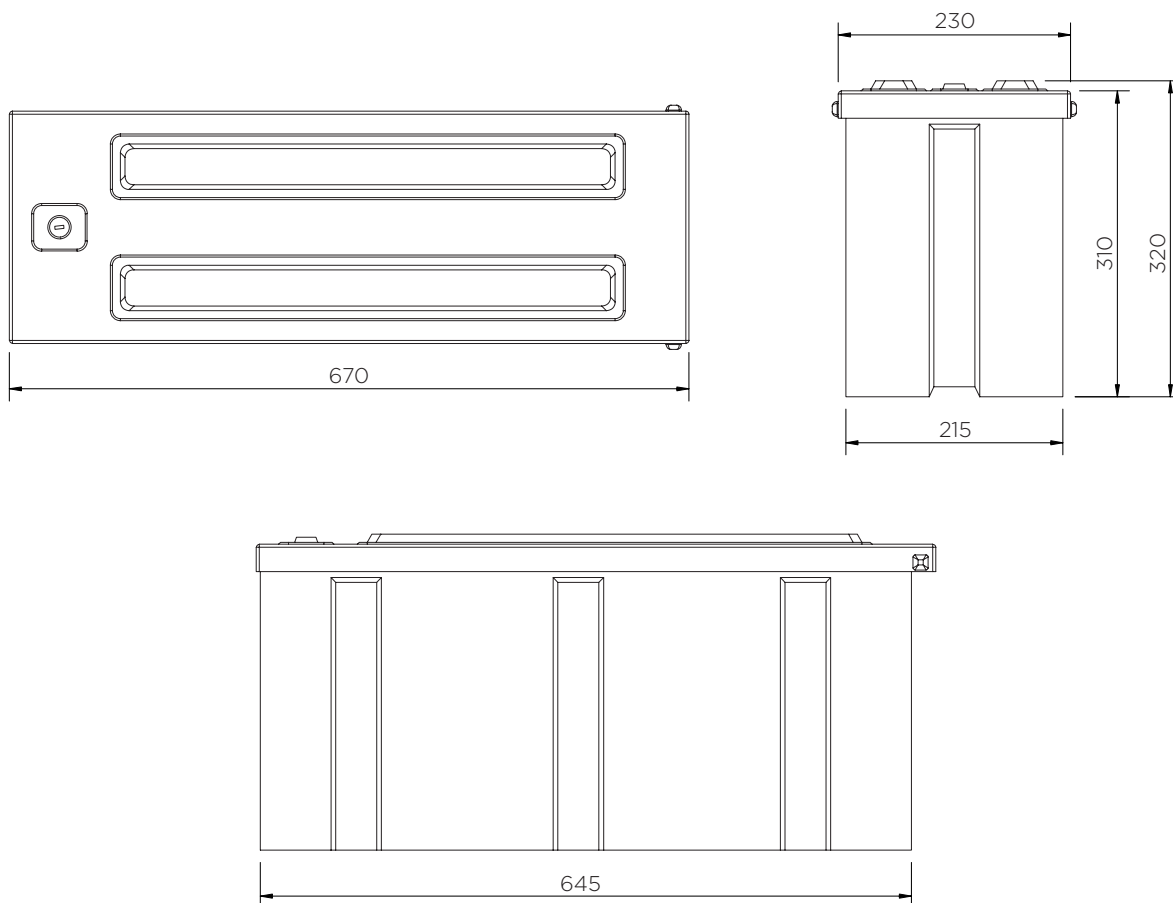


	H x W x D (mm)	Weight (kg)	Hinged lid	Lockable
JBH67			✓	
	320 x 670 x 230	4		✓
JBL67			Detachable	



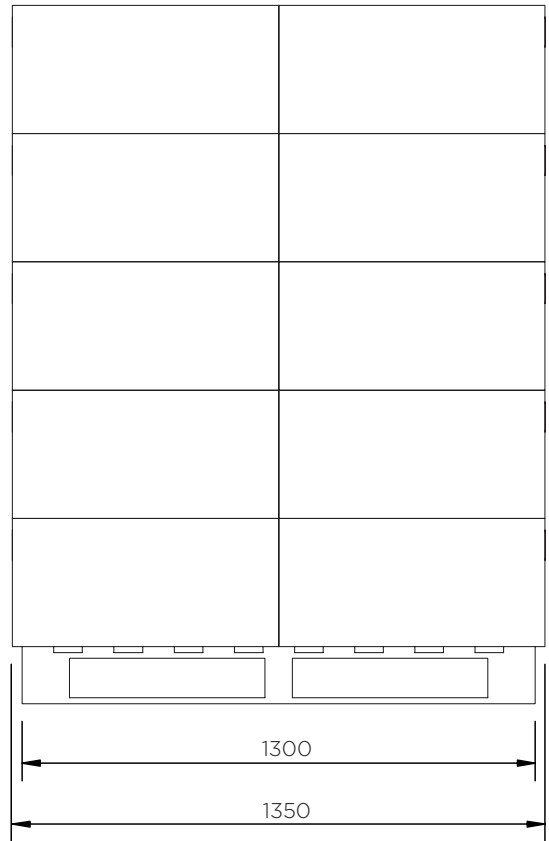
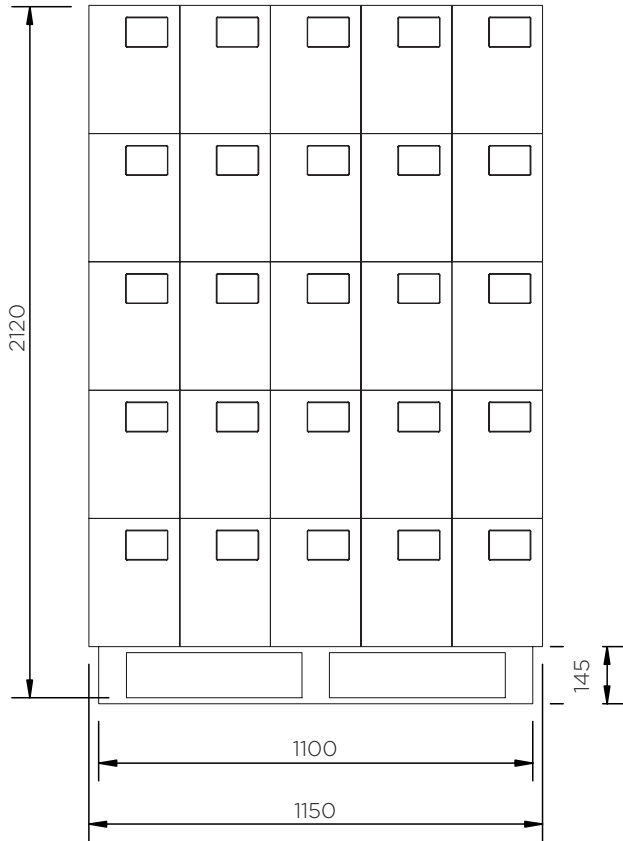
Storage Boxes

Technical Data



Storage Boxes

Technical Data



JBH67 / JBL67

Pieces per pallet	50
20' container	400
40' high cube container	900
13.6 m trailer	1100

The information is to our best knowledge true and accurate but all recommendations or suggestions are made without guarantee.