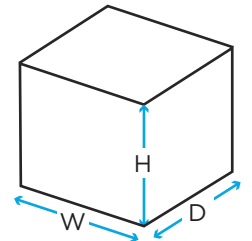
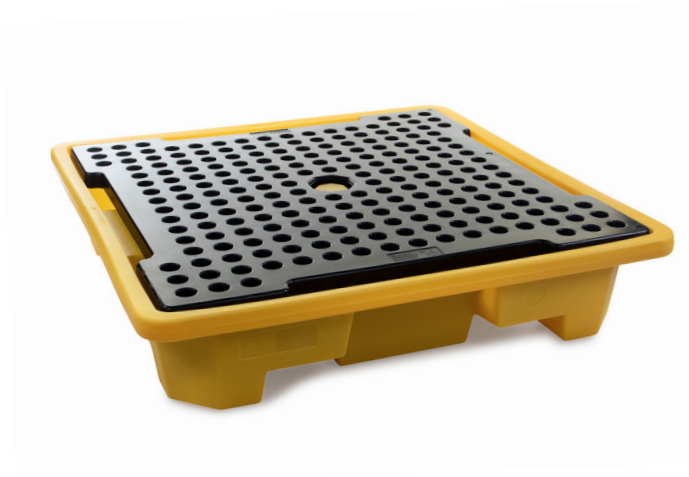


4 Drum Nestable Spill Pallet (249 l)

Technical Data



To select a colour, replace 'XXX' with one of the following:

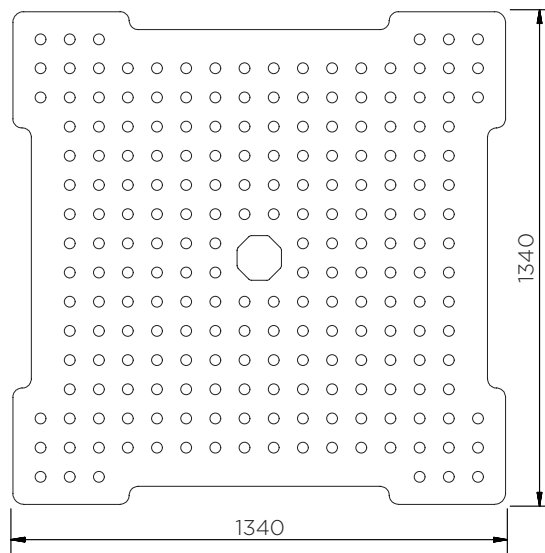
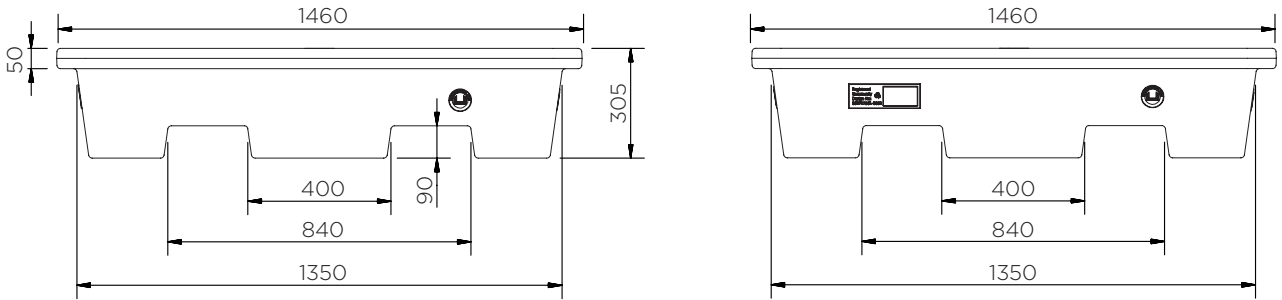
006: ●● 007: ●

| Colour | H x W x D (mm) | Platform (mm) | Weight (kg) | Capacity (l) | Max. load (kg) | DIBt |
|----------------|-------------------|------------------|-------------|--------------|----------------|-------------|
| SJ-110-XXX ●● | 305 x 1460 x 1460 | 50 x 1340 x 1340 | 37 | 249 | 1250 | - |
| SJ-110-007/D ● | | | | 220* | 1000 | Z.40.22-380 |

*Measured to underside of platform

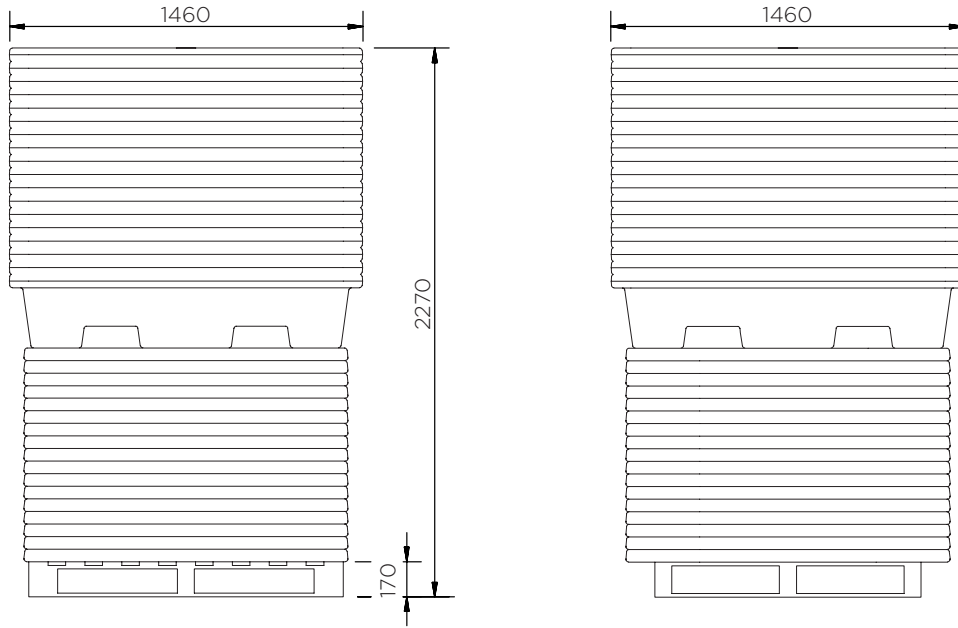
4 Drum Nestable Spill Pallet (249 I)

Technical Data



4 Drum Nestable Spill Pallet (249 I)

Technical Data



SJ-110-XXX

| | |
|-------------------------|-----|
| Pieces per pallet | 20 |
| 20' container | 80 |
| 40' high cube container | 160 |
| 13.6 m trailer | 200 |

The information is to our best knowledge true and accurate but all recommendations or suggestions are made without guarantee.