

Drum Stand

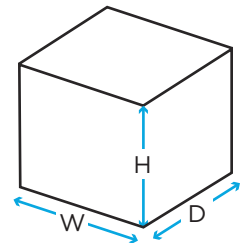
Technical Data



To select a color, replace 'XXX' with one of the following:

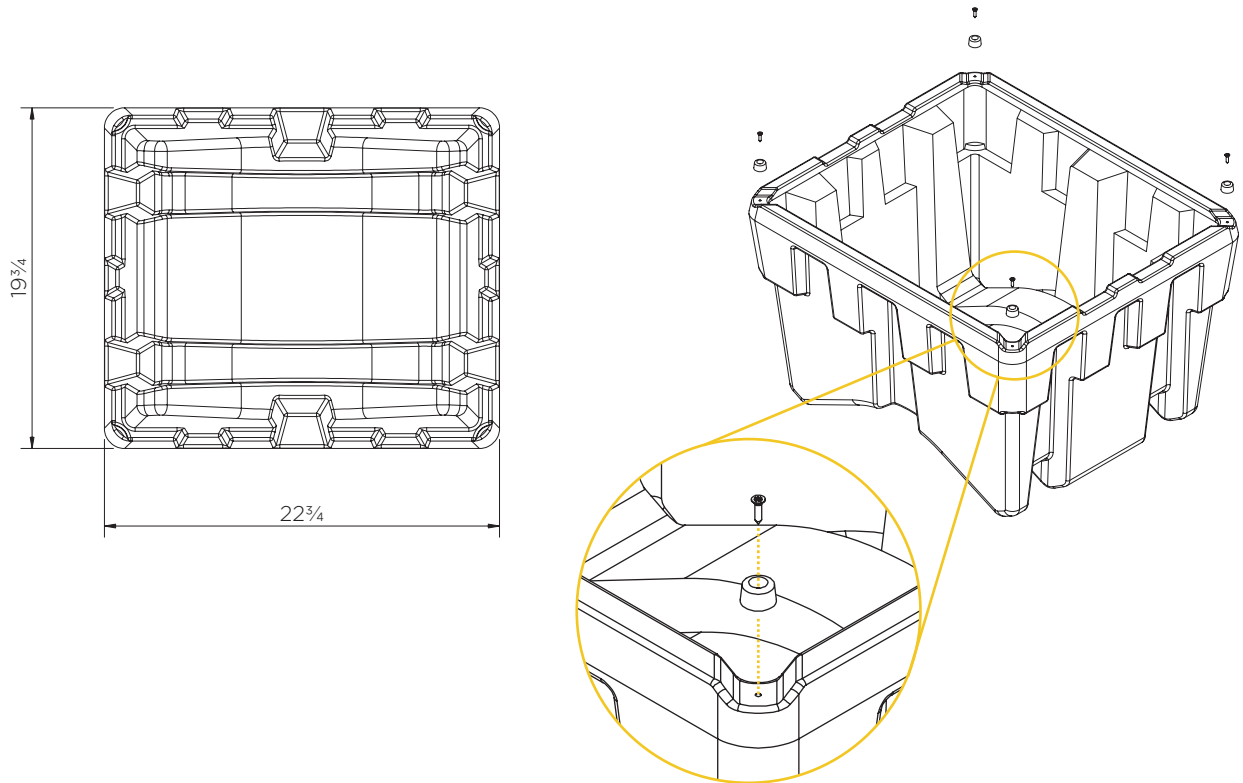
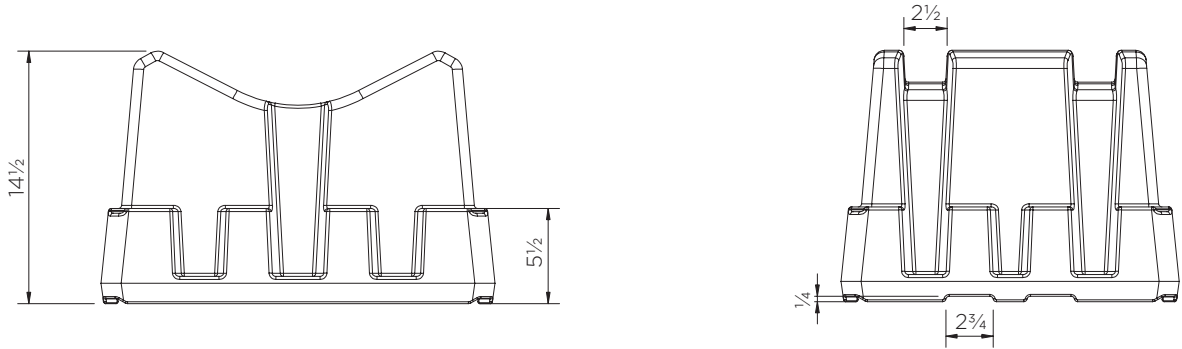
101: ● 102: ●

	Color	H x W x D (in)	Weight (lbs)	Max. load (lbs)
SJ-200-XXX	● ●	14½ x 23 x 19½	13	1102



Drum Stand

Technical Data

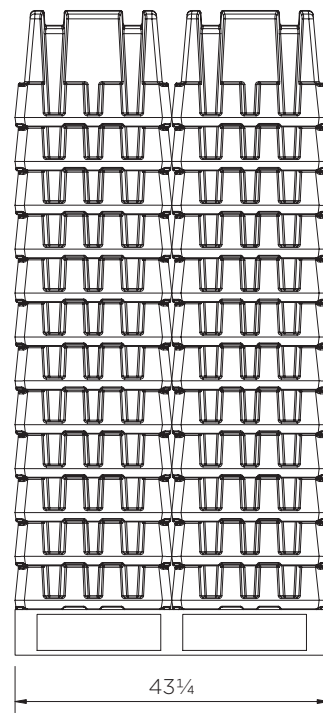
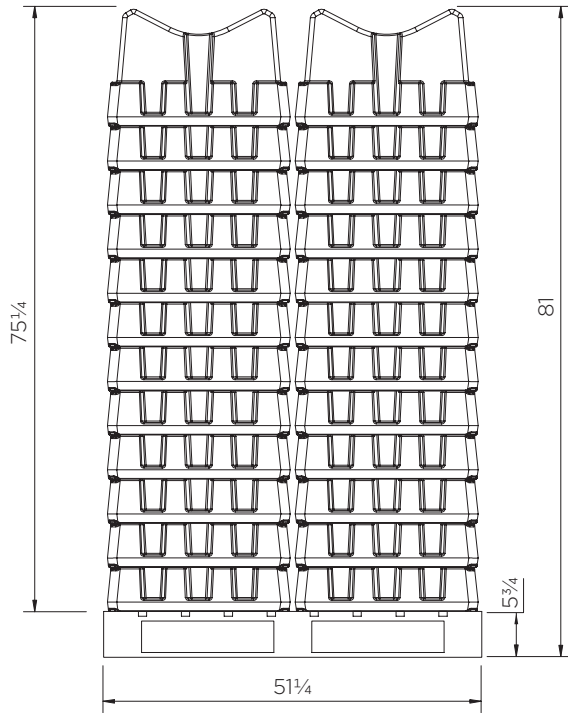


Optional extra: Rubber feet (KIT52)



Drum Stand

Technical Data



SJ-200-XXX

Pieces per pallet	48
20' container	480
40' high cube container	1008
13.6 m trailer	1248

The information is to our best knowledge true and accurate but all recommendations or suggestions are made without guarantee.