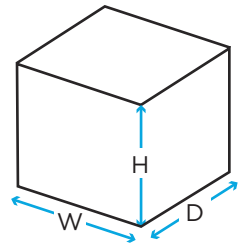


Fire Extinguisher Box (70 Series)

Technical Data



To select a colour, replace 'X' with one of the following:

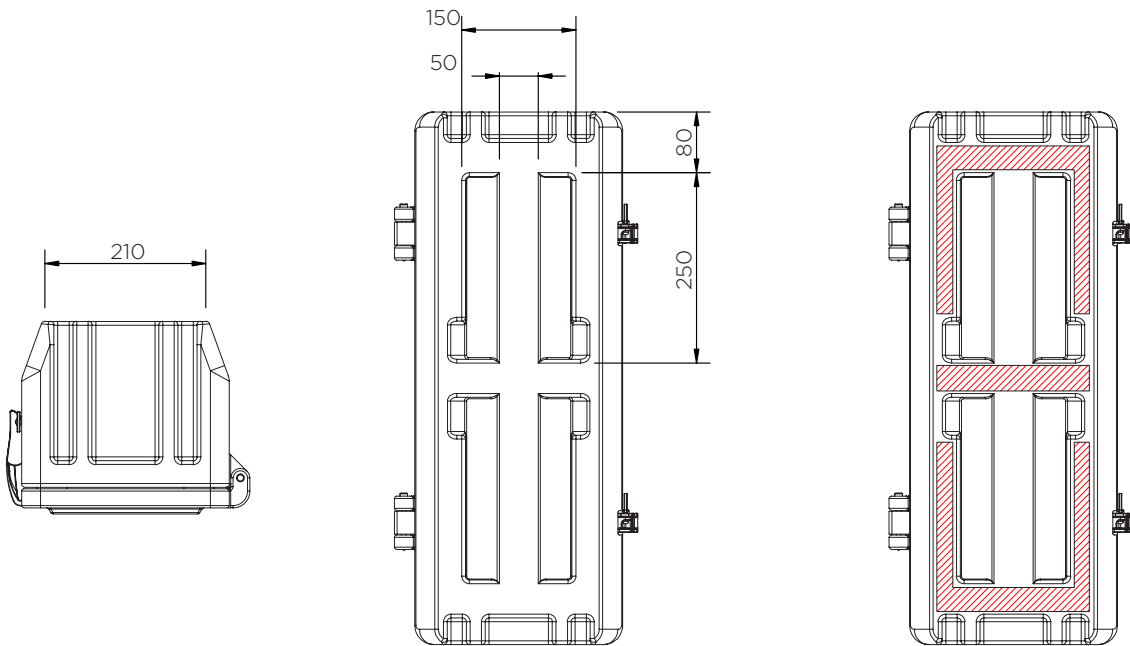
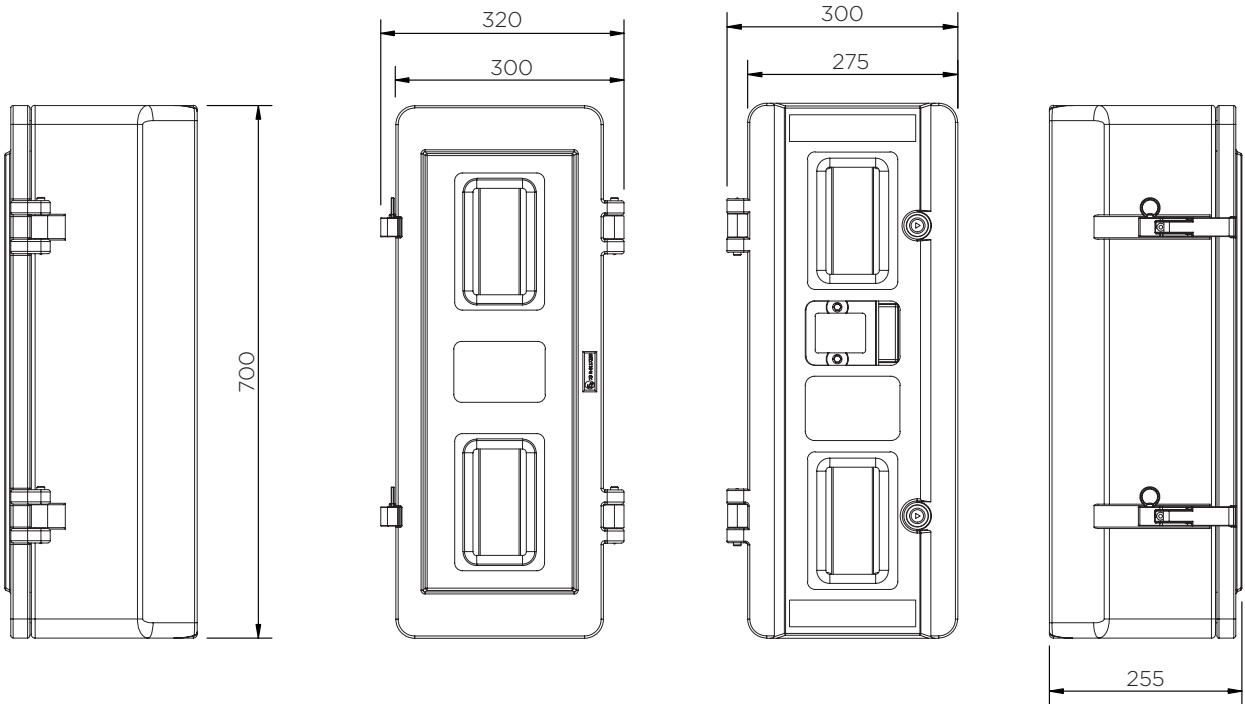
E: ● A: ●


	Colour	H x W x D (mm)	Weight (kg)	Extinguisher (kg)	Access	Labels
JBW X 70	●	700 x 320 x 255	4	6	Plastic toggles	●
	●					● + ● SPILL KIT ● ADR
JBK X 70	●	700 x 300 x 255			Break-glass	●
	●					● + ● SPILL KIT ● ADR



Fire Extinguisher Box (70 Series)

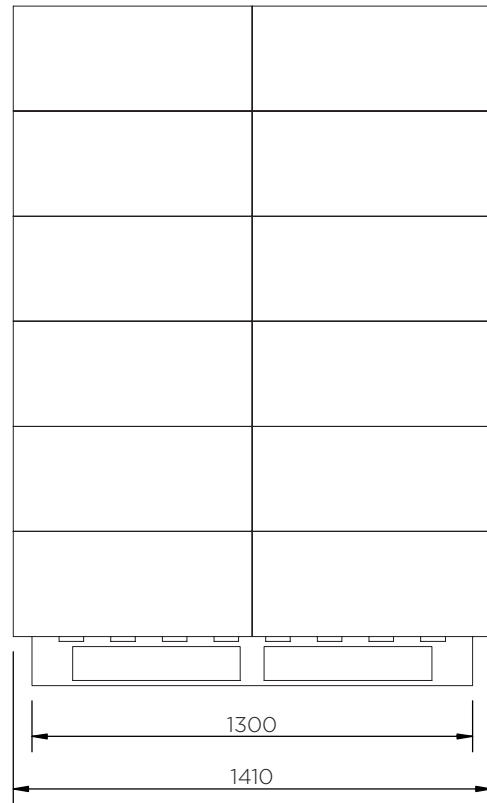
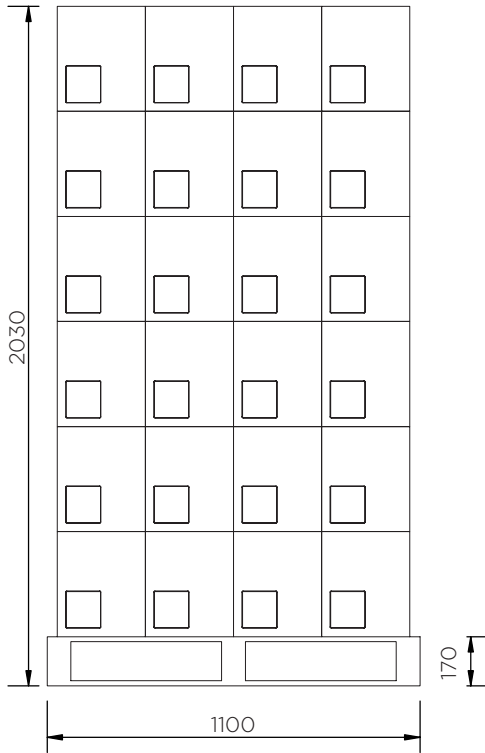
Technical Data



 Suitable mounting area

Fire Extinguisher Box (70 Series)

Technical Data



JBW70

Pieces per pallet	48
20' container	384
40' high cube container	768
13.6 m trailer	864

The information is to our best knowledge true and accurate but all recommendations or suggestions are made without guarantee.