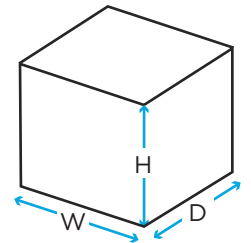


Fire Extinguisher Box (83 Series)

Technical Data



To select a color, replace 'X' with one of the following:

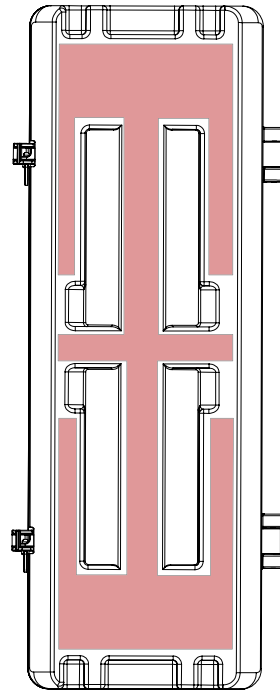
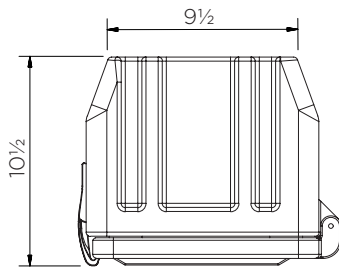
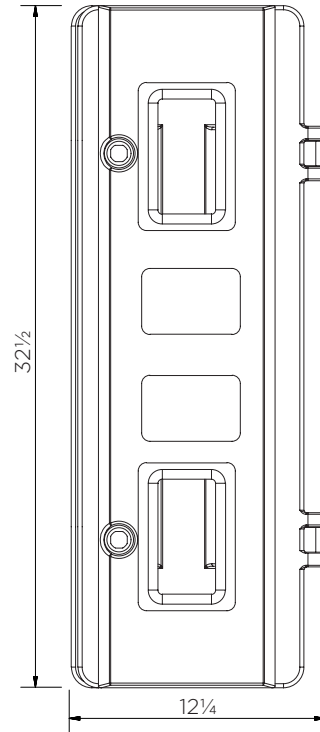
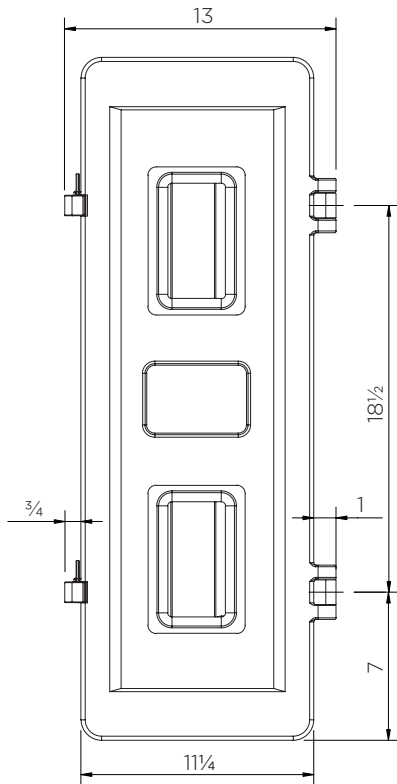
E: ● A: ●

	Color	H x W x D (in)	Weight (lbs)	Extinguisher (lbs)	Access	Labels
JBX83	●	32½ x 13 x 10½	12	20	Plastic toggles	●
	●					● + SPILL KIT ● ADR
JBK83	●	32½ x 12¼ x 10½			Break-glass	●
	●					● + SPILL KIT ● ADR



Fire Extinguisher Box (83 Series)

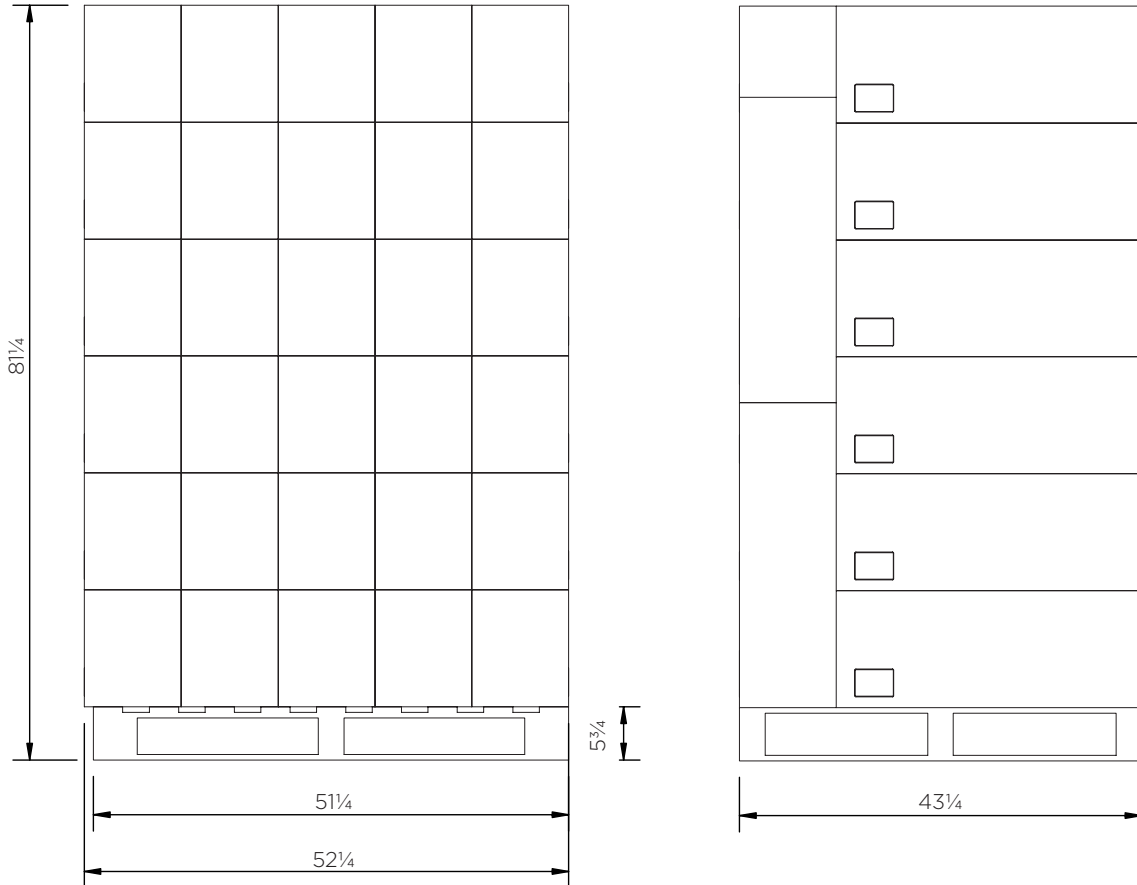
Technical Data



■ Suitable mounting area

Fire Extinguisher Box (83 Series)

Technical Data



JBW~~X~~83

Pieces per pallet	38
20' container	304
40' high cube container	684
13.6 m trailer	760

The information is to our best knowledge true and accurate but all recommendations or suggestions are made without guarantee.