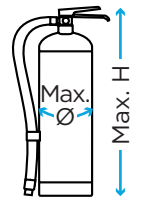
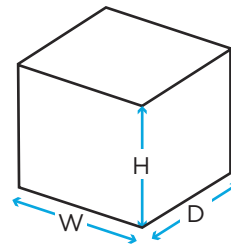




Fire Extinguisher Box (75 Series)

Technical Data



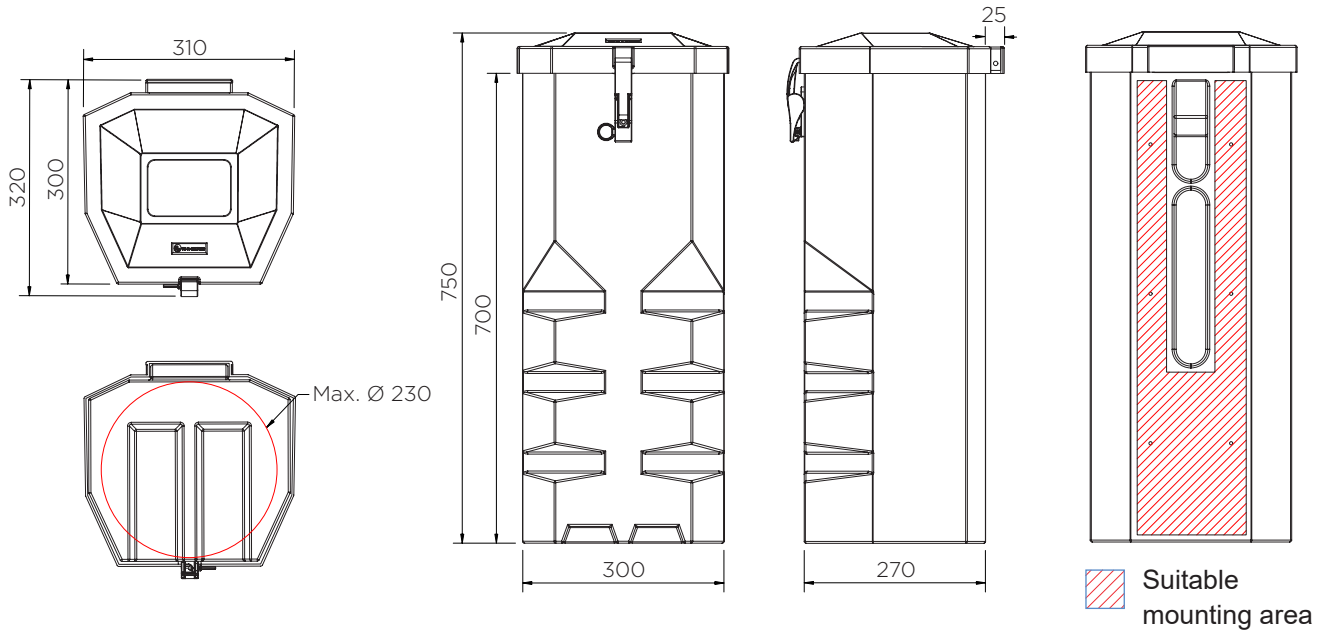
To select a colour, replace 'X' with one of the following:

B: ● R: ● A: ●

	Colour options	H x W x D (mm)	Weight (kg)	Extinguisher (kg)	Max. Ø (mm)	Max. H (mm)	Labels
JBF ^X 75	● ● ●	750 x 310 x 320	6.5	9-12	230	710	   

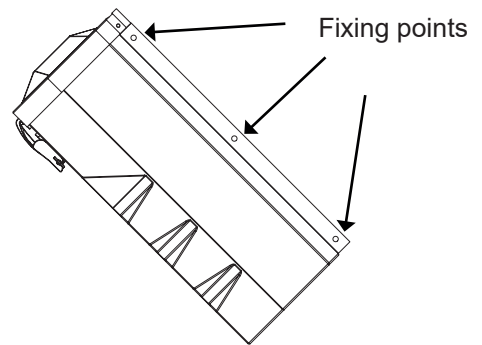
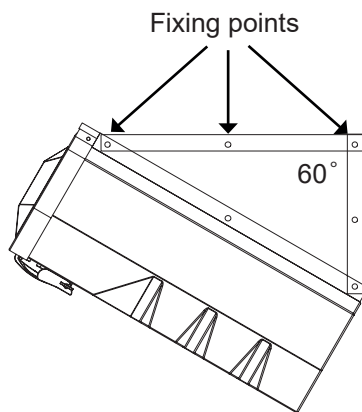
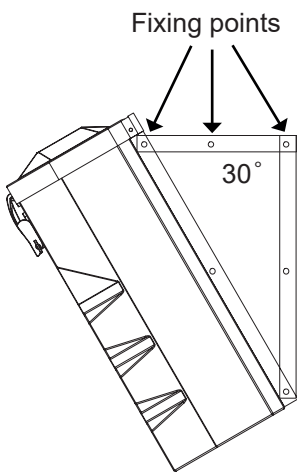
Fire Extinguisher Box (75 Series)

Technical Data



KIT55 - Mounting kit

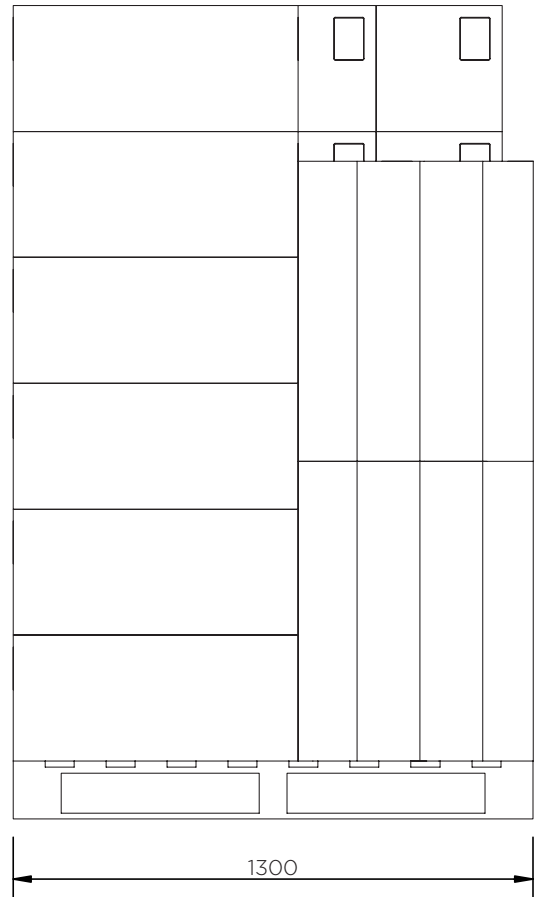
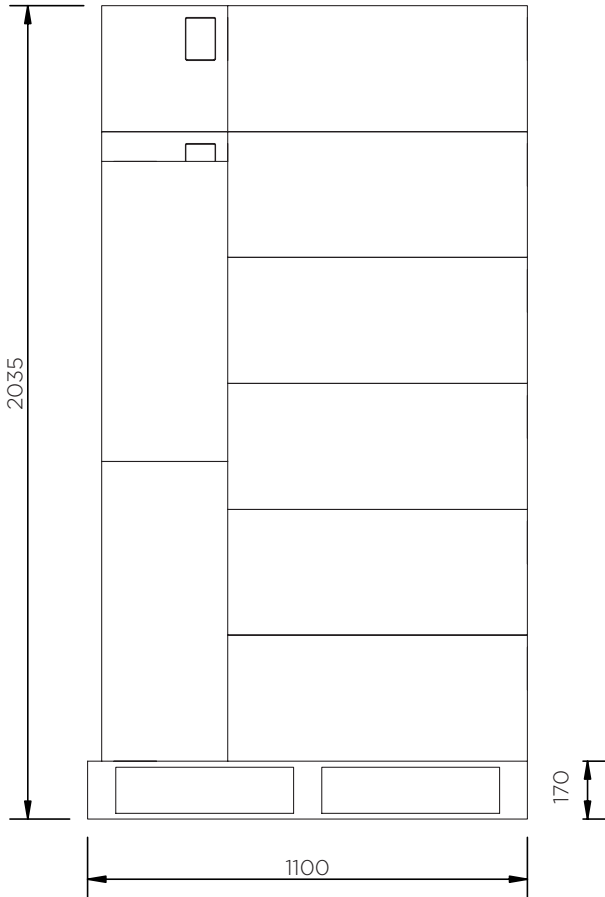
KIT56 - Mounting kit



The extinguisher must not rest on top of the tension strap.

Fire Extinguisher Box (75 Series)

Technical Data



JBFX75

Pieces per pallet	34
20' container	272
40' high cube container	612
13.6 m trailer	748

The information is to our best knowledge true and accurate but all recommendations or suggestions are made without guarantee.