

THE 95M WHEELED FIRST AID RESPONSE BOX

ASSEMBLY INSTRUCTIONS - 05/2026-v01

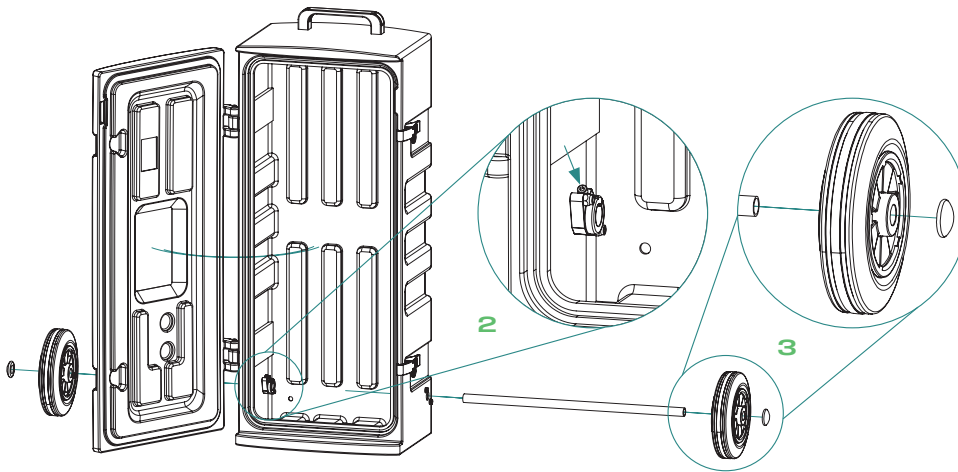
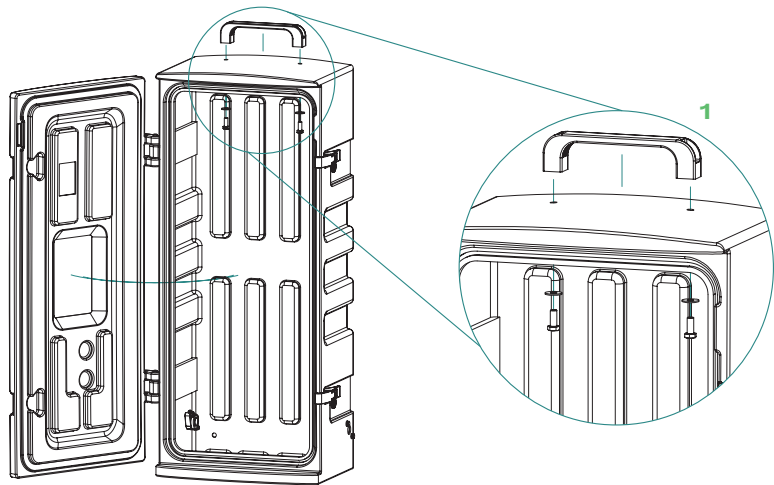


COMPONENTS

- + Axle
- + 2 x wheels
- + 2 x caps
- + Handle
- + 2 x bolts
- + 2 x washers

TOOLS REQUIRED

- + Rubber mallet
- + 13 mm socket / spanner
- + 4 mm allen key



ASSEMBLY STEPS

1. Align the handle with the pre-drilled holes and affix using the supplied M8 bolts and washers
2. Insert the axle through the pre-drilled holes. Once in place secure with allen key by tightening the top bolts on the metal clamps inside
3. Place a wheel at each end of the axle. Then, using a rubber mallet, hammer the metal caps over the ends of the axle to secure the wheels in place