

SITEPOINT WHEELED DISPLAY & STORAGE UNIT

ASSEMBLY INSTRUCTIONS - 05/2026-v01

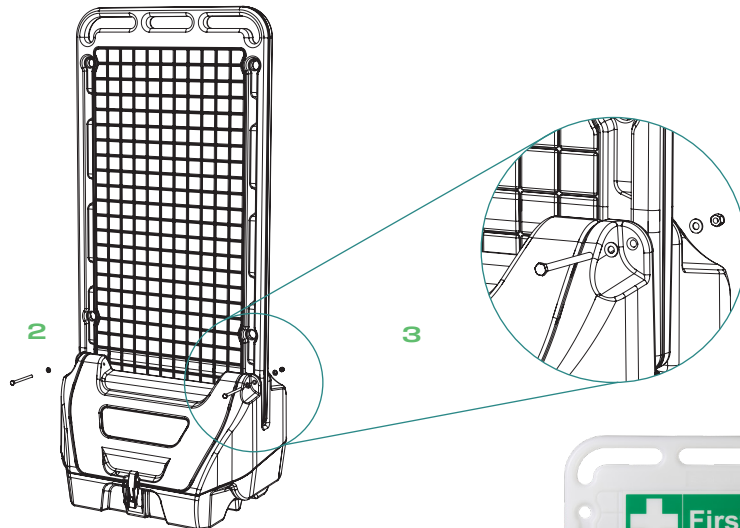
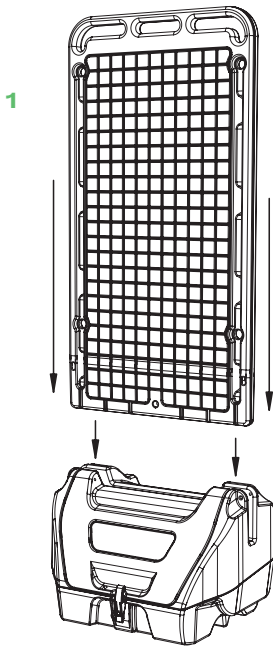


COMPONENTS

- + Backboard
- + SitePoint Base
- + 2 x bolts
- + 4 x washers
- + 2 x washers

TOOLS REQUIRED

- + 13 mm socket / spanner



ASSEMBLY STEPS

1. Place the backboard into the top of the SitePoint base. Ensure all fixing holes are aligned
2. Insert the bolt through the aligned holes. Fit a washer on both sides (under bolt head and nut)
3. Attach the nut and tighten using a socket/spanner. Hold the bolt head if required
4. Repeat steps 2-3 for the second fixing point