

SITEPOINT WHEELED DISPLAY & STORAGE UNIT

TECHNICAL DATA - 05/2026-v01



FIRST AID STORAGE ENGINEERED FOR RAPID RESPONSE

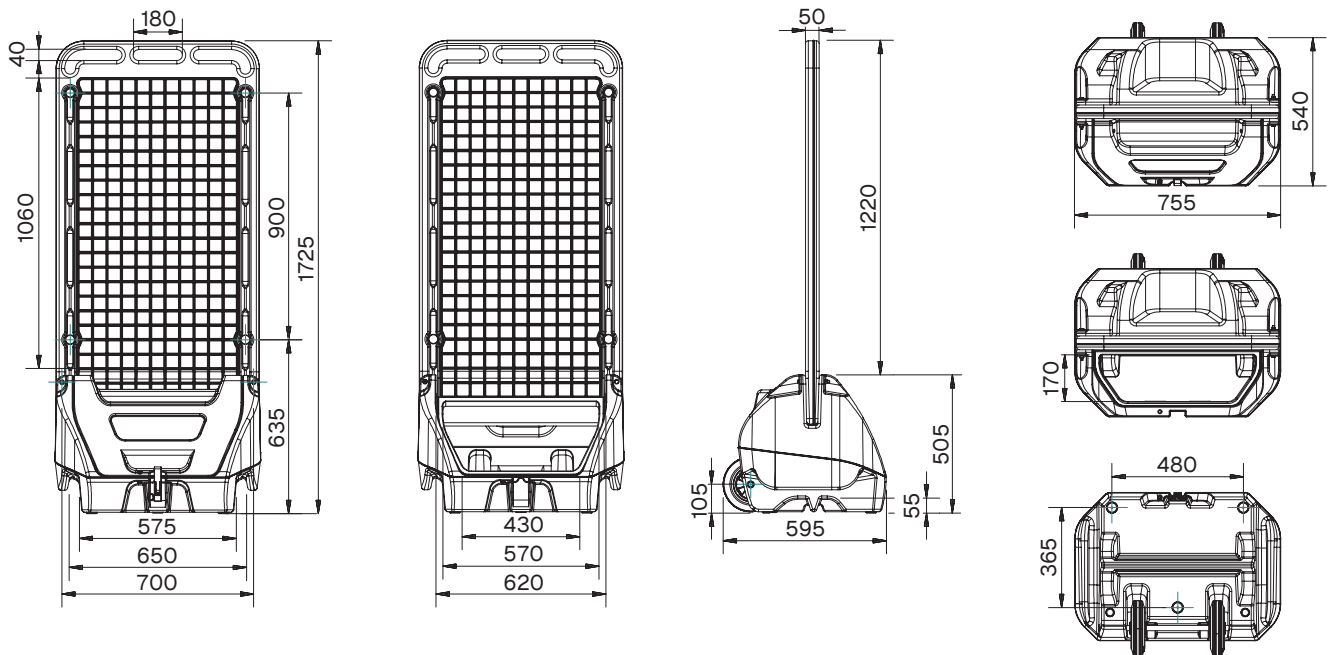
Key Features

- + Suitable for indoor and outdoor applications
- + 100-litre storage capacity with a hinged lid
- + Versatile use as first aid point for rapid access to essential first aid equipment and information
- + Lid stays open in vertical position
- + Single toggle latch with split pin guarantee secure lid closure
- + Fitted with an automotive-grade synthetic rubber seal for protection against water and dust ingress
- + Can be padlocked for security (padlock not included)
- + Double-sided white display board with grid markings - Max. load 8 kg per side
- + Easily mount safety equipment via self-tapping screws and bolts (not included)
- + Tethering points for enhanced stability
- + First Aid logo plate included, bespoke logo plates also available

Specification

Part number:	HS1P-BB1-GR/FAI
Dimensions (H x W x D):	1725 x 755 x 595 mm
Weight:	11 kg
Capacity:	100 L
Pallet quantity / dimensions:	8 / 2000 x 1200 x 800 mm (base) 8 / 545 x 1600 x 800 mm (backboard)





PALLETISATION

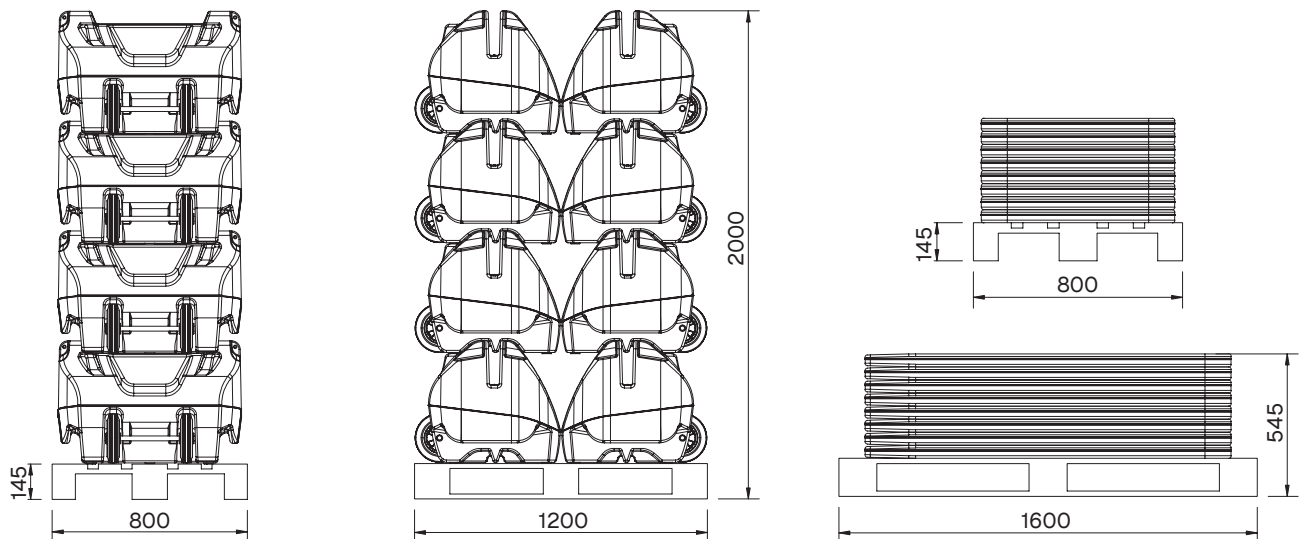
- Pallet quantity: Base:** 8
- Pallet dimensions:** 2000 x 1200 x 800 mm
- 545 x 1600 x 800 mm

The information provided is, to the best of our knowledge, true and accurate; however, all recommendations or suggestions are made without guarantee and may change based on shipping requirements.

Contact us for container and trailer quantities.

- + jonesco-plastics.com
- + sales@jonesco-plastics.com
- + +44 (0) 1772 706 888

Estimated container and trailer quantities for this product may not fully utilise available space due to the product's shape and structural configuration.

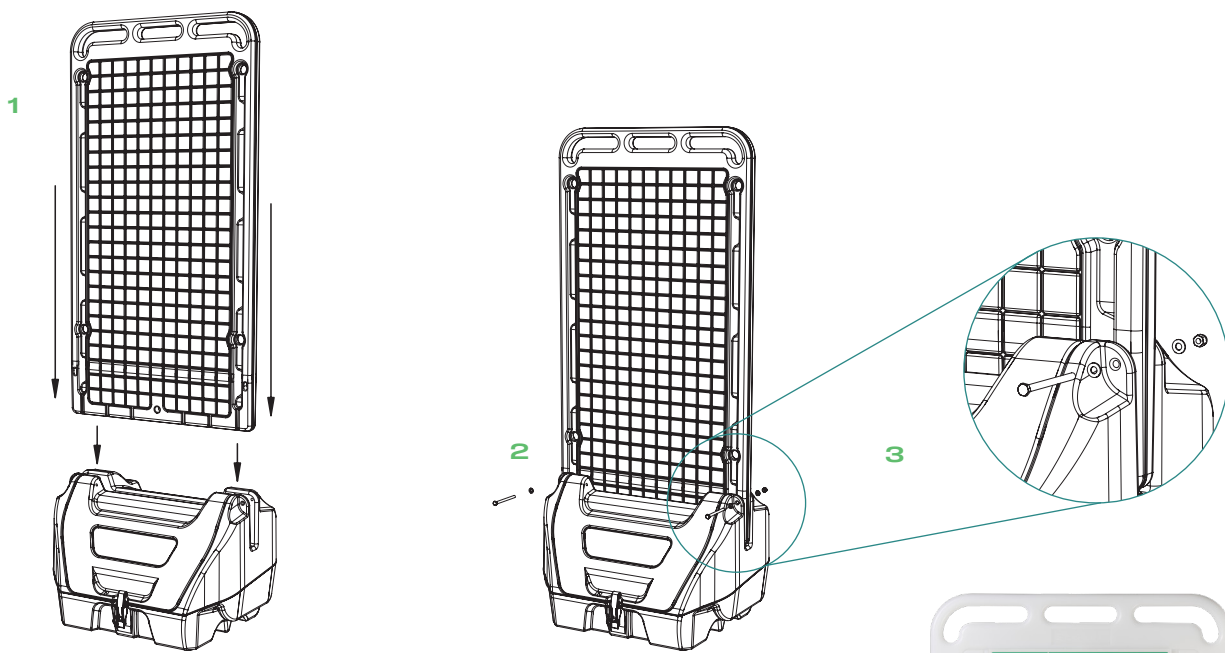


COMPONENTS

- + Backboard
- + SitePoint Base
- + 2 x bolts
- + 4 x washers
- + 2 x washers

TOOLS REQUIRED

- + 13 mm socket / spanner



ASSEMBLY STEPS

1. Place the backboard into the top of the SitePoint base. Ensure all fixing holes are aligned
2. Insert the bolt through the aligned holes. Fit a washer on both sides (under bolt head and nut)
3. Attach the nut and tighten using a socket/spanner. Hold the bolt head if required
4. Repeat steps 2-3 for the second fixing point