

THE 72 FIRST AID STORAGE BOX

MOUNTING INSTRUCTIONS - 05/2026-v01



IMPORTANT

Fixings not supplied

Select fixings suitable for:

- + Wall type (brick, block, plasterboard, timber)
- + Intended load (including contents)

Use washers under all fixing heads

Minimum 4 fixing points required

For heavier loads: use additional fixings or load-rated anchors

TOOLS REQUIRED

- + Drill & suitable drill bit
- + Screwdriver / socket tool
- + Level
- + Pencil / marker
- + Appropriate fixings & wall plugs

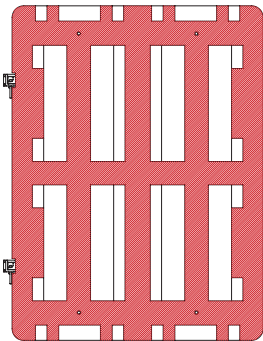


Fig. 1

Red areas indicate approved drilling locations

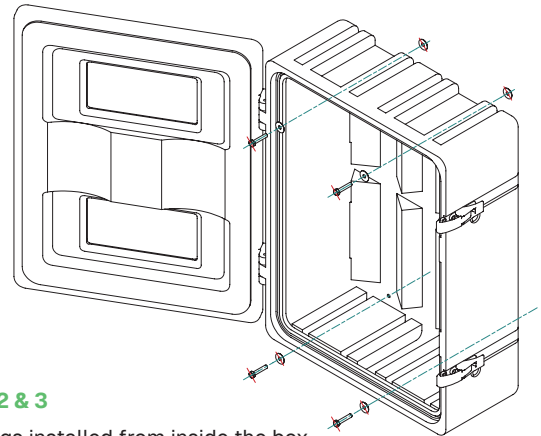
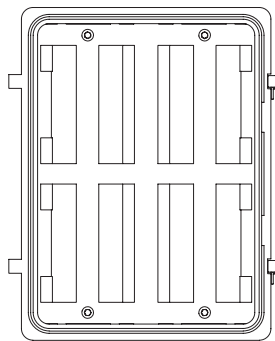


Fig. 2 & 3

Fixings installed from inside the box

MOUNTING STEPS

1. **Position:** Select a structurally sound wall with clear access for door opening
2. **Mark Out:** Hold the box in position and mark fixing points using approved drilling locations. (See Fig. 1)
3. **Drill Holes:** Drill at marked positions. Fit wall plugs/anchors as required
4. **Align Unit:** Place box against wall, aligning holes with drilled positions
5. **Secure Fixings:** Install fixings from inside the box. Fit washers under heads. (See Fig. 2 & 3)
6. **Tighten Evenly:** Ensure all fixings are secure and load is evenly distributed
7. **Final Check:** Load box and confirm stability. Add fixings if required
8. **Safety Note:** Incorrect fixing selection or installation may result in failure. Always ensure fixings are appropriate for the wall structure and applied load