

JBB80P FIRST AID RESPONSE BOX

TECHNICAL DATA - 05/2026-v01

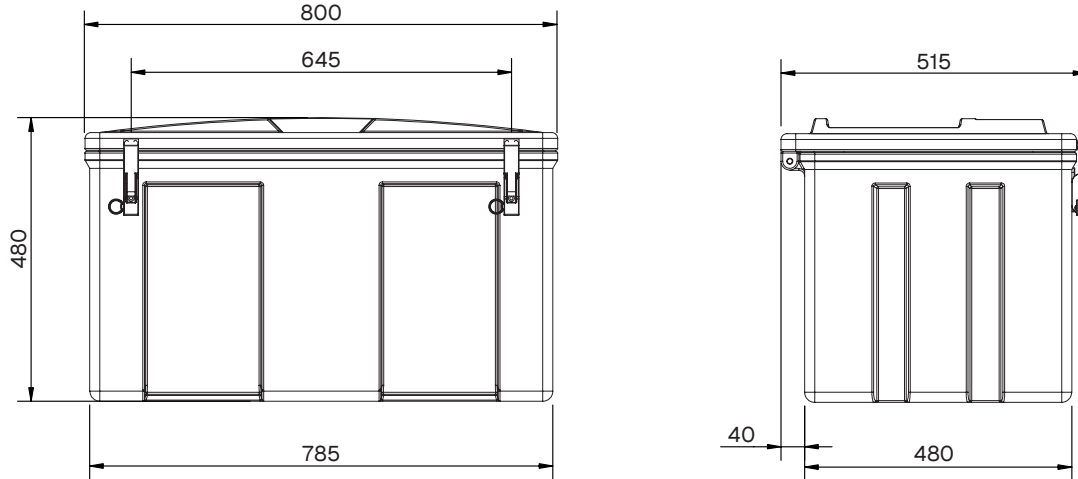
FIRST AID STORAGE
ENGINEERED FOR RAPID RESPONSE

Key Features

- + Compliant storage for first aid kits, trauma kits, bleed kits, critical injury kits, mass evacuation kits, burns kits, biohazard kits, and eyewash kits
- + Suitable for venues seeking to comply with Martyn's Law (Terrorism Act 2005)
- + Tough roto-moulded UV-stabilised polyethylene design - thick-walled, impact-resistant, and corrosion-proof
- + Designed for use by zero responders, first aiders and professionals alike
- + Fitted with an automotive-grade synthetic rubber seal for protection against water and dust ingress
- + Capable of withstanding harsh climates and chemical environments
- + Two toggle latches with split pins guarantee secure lid closure
- + Stainless steel handles for easy lifting
- + First Aid logo plate included, bespoke logo plates also available
- + Increase mobility by using self-fitting castor kit ([KIT103](#)), supplied as standard

Specification

Part number:	JBB80P-BKGR/FAI
Dimensions (H x W x D):	480 x 800 x 515 mm
Weight:	10 kg
Capacity:	138
Pallet quantity / dimensions:	12 / 2090 x 1300 x 1100 mm



PALLETISATION

- Pallet quantity:** 12
- Pallet dimensions:** 2090 x 1300 x 1100 mm
- 20' container:** 96
- 40' high cube container:** 216
- 13.6 m trailer:** 264

The information provided is, to the best of our knowledge, true and accurate; however, all recommendations or suggestions are made without guarantee and may change based on shipping requirements.

Estimated container and trailer quantities for this product may not fully utilise available space due to the product's shape and structural configuration.

