

# Emergency Storage Box

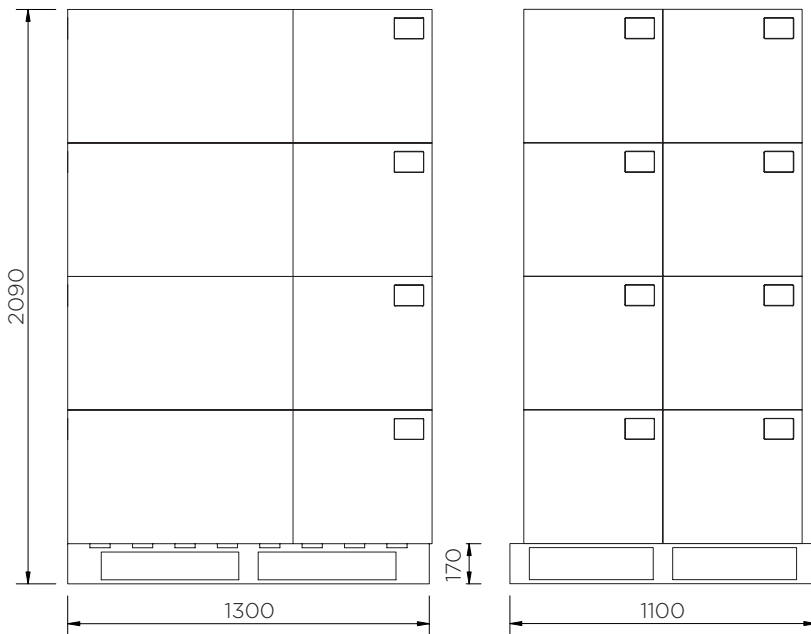
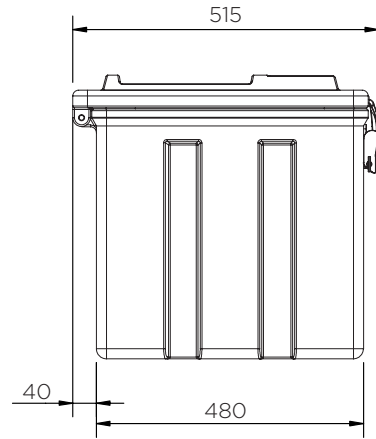
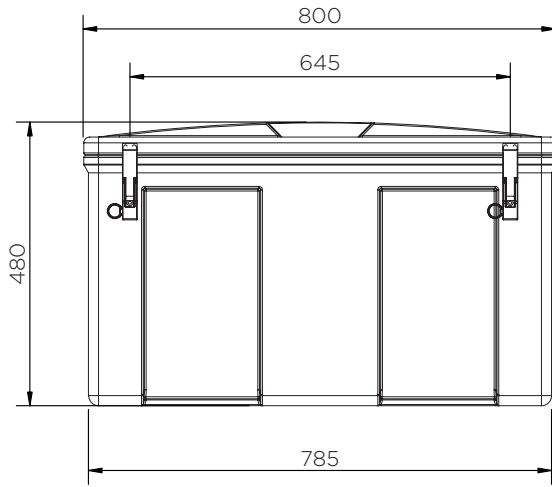
Technical Data



|             | Colour options | H x W x D (mm)  | Weight (kg) | Capacity (l) |
|-------------|----------------|-----------------|-------------|--------------|
| JBB80P-COOR | ●              | 480 x 800 x 515 | 10          | 138          |

# Emergency Storage Box

Technical Data



**JBB80P-COOR**

|                         |     |
|-------------------------|-----|
| Pieces per pallet       | 12  |
| 20' container           | 96  |
| 40' high cube container | 216 |
| 13.6 m trailer          | 264 |

The information is to our best knowledge true and accurate but all recommendations or suggestions are made without guarantee.