

Emergency Storage Box

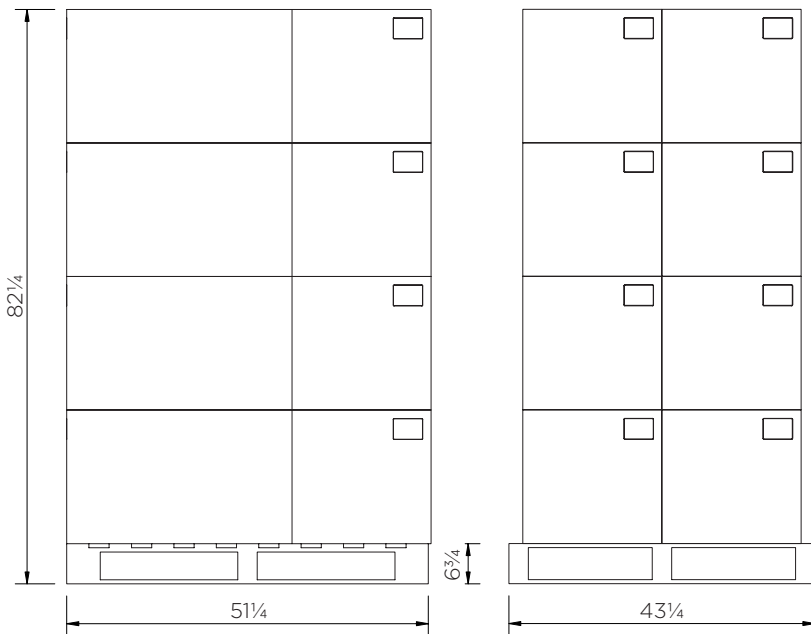
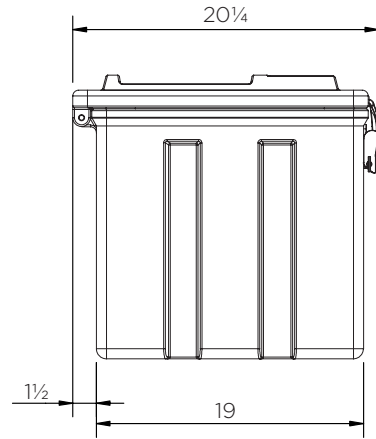
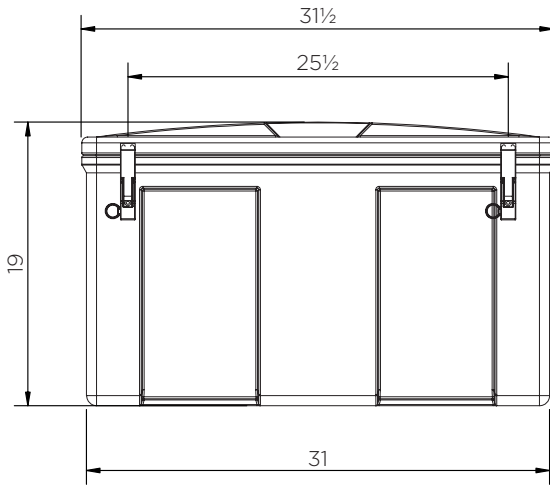
Technical Data



	Color options	H x W x D (in)	Weight (lbs)	Capacity (gal)
JBB80P-COOR	●	19 x 31½ x 20¼	22	36

Emergency Storage Box

Technical Data



JBB80P-COOR

Pieces per pallet	12
20' container	96
40' high cube container	216
13.6 m trailer	264

The information is to our best knowledge true and accurate but all recommendations or suggestions are made without guarantee.

